

CABLE 235 RF: RF CABLE ASSEMBLY, IPEX MHF + TNC STRAIGHT BULKHEAD JACK W/O-RING RATED TO IP67/68, MULTIPLE CABLES

SPECIFICATIONS:

1. I-PEX MHF PLUG, P/N: FOR RG178 CABLE: 20278-112R-18, FOR $\phi 1.37$ MM CABLE: 20351-112R-37.
2. SEE CABLE SIZE OPTIONS.
3. TNC STRAIGHT BULKHEAD JACK WITH O-RING RATED TO IP67/68, P/N: RFCT-TNC006-F78.

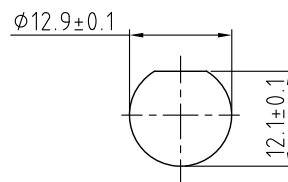
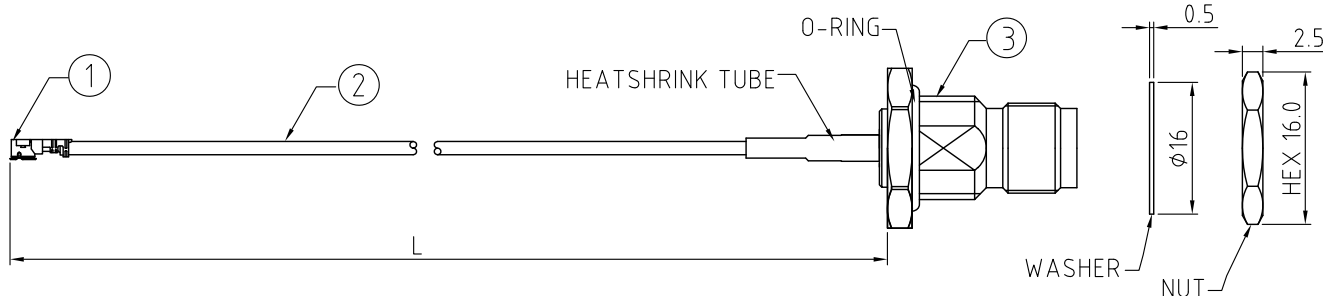
USAGE PRECAUTIONS: CABLES USING 'MICRO' COAX ARE DELICATE:
 (i) HANDLE WITH CARE.
 (ii) DO NOT TWIST; APPLY EXCESSIVE FORCES OR SHARP BENDS TO THE CABLE. DO NOT FORCEFULLY DEFORM WIRES.
 (iii) CONSULT CONNECTOR MANUFACTURER'S DATASHEETS FOR DETAILED NOTES ON HANDLING INSTRUCTIONS.

ENVIRONMENTAL:

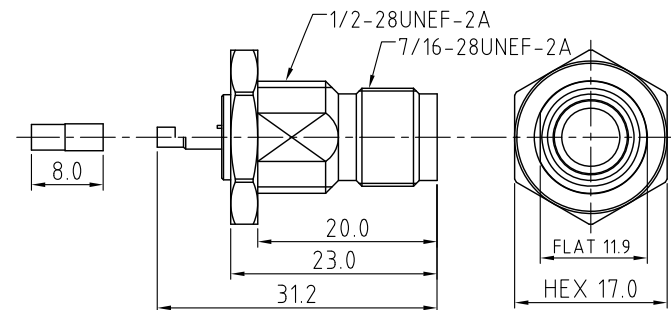
- A. BULKHEAD MOUNTED CONNECTOR (RFCT-TNC006-F78) RATED TO THE FOLLOWING SPECIFICATION:
- i. IP6X - DUST TIGHT - NO PARTICLE INGRESS.
 - ii. IPX7 WATERPROOF FOR 30 MINUTES UP TO 1 METER UNDERWATER.
 - iii. IPX8 WATERPROOF FOR 48 HOURS AT 1 METER UNDERWATER.

NOTES:

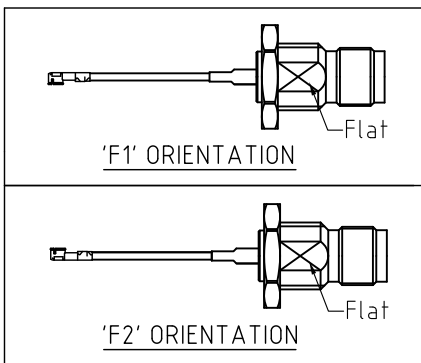
1. THE ORIENTATION OF CONNECTORS ON DRAWING IS FOR REFERENCE ONLY, IF THE ORDER IS LEFT BLANK THE CONNECTOR WILL NOT HAVE FIXED ORIENTATION.
2. FIXED ORIENTATION IS SUGGESTED FOR CABLE LENGTH 25MM TO 100MM. PLEASE SPECIFY THE FIXED ORIENTATIONS FROM THE ORDER CODE (F1, F2, ETC)
3. CONTACT GRAD CONN IF THE ORIENTATION YOU REQUIRE IS NOT SHOWN.
4. WORKING FREQUENCY RANGE: DC-3GHz
5. OPERATING TEMPERATURE: -40°C~+90°C



RECOMMENDED TNC MOUNTING HOLE



TNC DETAIL DRAWING



HOW TO ORDER

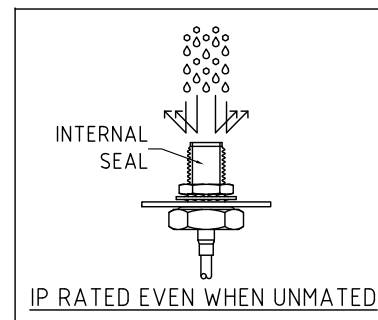
CABLE 235 RF - X X X - XX - X - X

"L" LENGTH IN MM
 eg: 100MM = 100
 (MIN. 025-MAX.400)
 STANDARD = 100, 150, 200
 Tolerance: <50mm : ± 2 mm.
 51-200mm: ± 5 mm.
 201-400mm: ± 7 mm.

WASHER AND NUT OPTIONS:
 BLANK = SEPARATELY PACKED (STANDARD)
 A = ASSEMBLED WITH CONNECTOR

ORIENTATION OPTIONS:
 BLANK = DOES NOT HAVE A FIXED ORIENTATION
 F1 = MHF CONNECTION DOWN (L=25-200MM)
 F2 = MHF CONNECTION UP (L=25-200MM)
 (SEE NOTES 1, 2, 3 AND DIAGRAMS FOR MORE INFORMATION)

CABLE SIZE OPTIONS:
 1 = $\phi 1.37$ MM CABLE, COLOR: BLACK
 2 = RG178 CABLE, COLOR: BROWN



REV. DATE & DRN

- 10 30/05/16 - NYW RELEASE
- 11 23/08/16 - RH ADDED
- 12 24/04/17 - NYW CABLE OPTION (RG178, BROWN)
- 12 24/04/17 - NYW AMEND ORDERING GRIDS.
- 13 24/05/19 - NYW ADD OPERATING TEMP.
- 14 03/03/24 - CC ADD IP RATING VIEW

Scale: NTS	THIRD ANGLE	Unstated Tolerances:
Drawn: CC		.X N/A .XX N/A .XXX N/A ANGLES N/A
App'd: XXX	Title CABLE ASSEMBLY	
Date: 3 MAR. '24	Revision: 1.4	Unit: mm

IP Rated RF Products

www.gradconn.com

Type: Cable 235 RF
CABLE 235 RF
Drawing Number:
Sheet 1 of 1
Drawing © E and O E